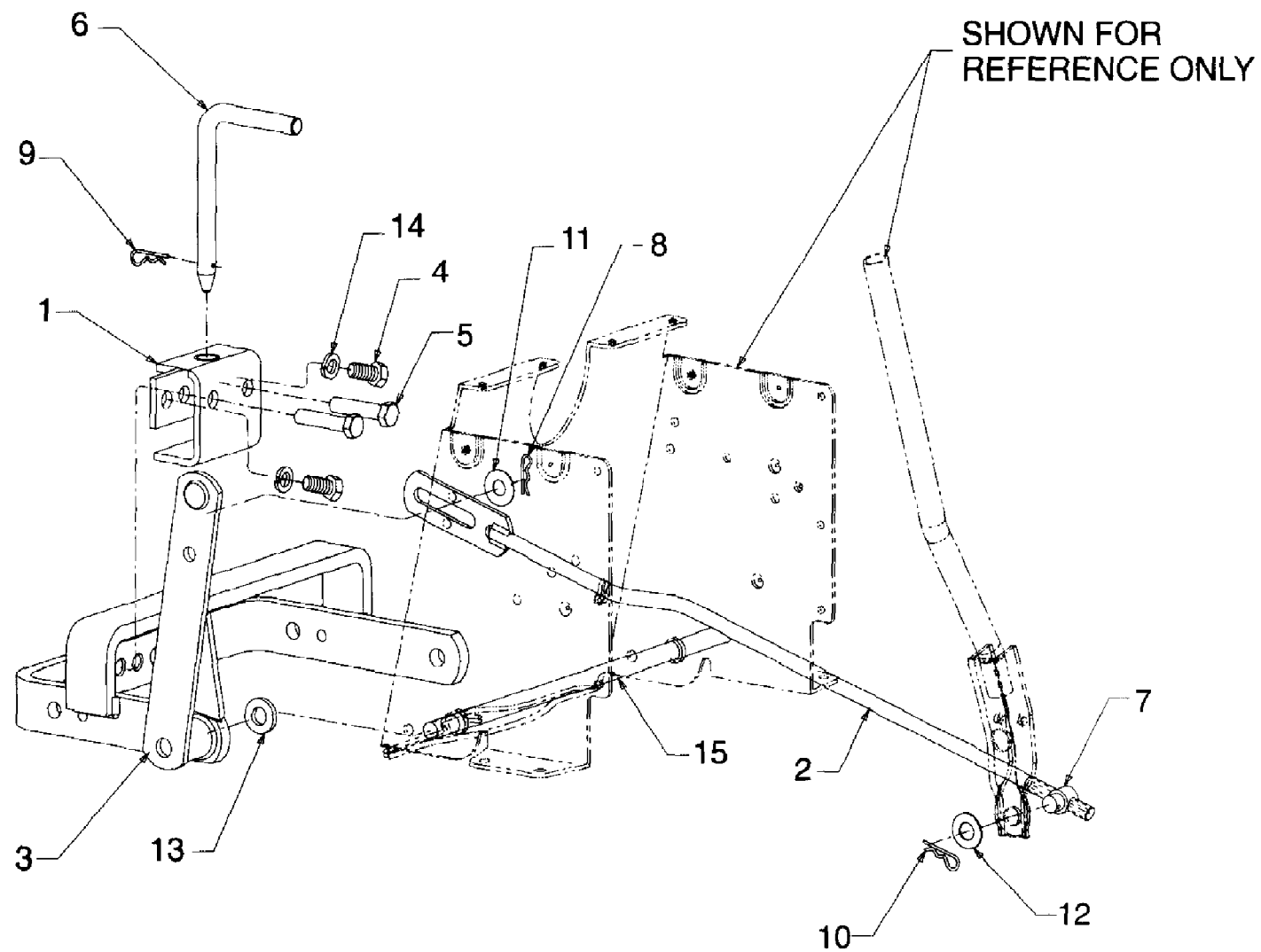


190-760-000 (1998)
Sleeve Hitch



190-760-000 (1998)
Sleeve Hitch

Page 2 of 2

Ref #	Part Number	Qty	S/P/F	Description
1	13269	1.000	S	BRKT ASM:HITCH
2	638-0015	1.000	S	ROD ASM:LIFT
3	689-0003	1.000		BRKT ASM:HITCH
4	710-0493	2.000	S	HHCS:1/2-13:1.00:GR2:STD
5	710-3104	2.000	/P	HHCS:1/2-13:2.25:GR5:SPEC
6	711-0282	1.000	/P	PIN:HITCH
7	711-0770	1.000	S	ADJUSTMENT FERRULE 1/2-13
8	714-0101	1.000	S	PIN:COT: INT .08 X 1.42
9	714-0117	1.000	/P	PIN:COT:.148 X 3.0 INTERNAL
10	714-0145	1.000	S	PIN:COT:.092 X 1.63 INTERNAL
11	736-0100	1.000	/P	FL-WASH .531 ID X 1.25 OD X .0
12	736-0187	1.000	/P	FL-WASH .640 ID X 1.24 OD X .06
13	736-0531	1.000	S	WASH:FLAT:.635 X 1.24 X .181
14	736-0921	2.000	S	WASH:LOCK:1/2:REGULAR DUTY
15	738-0992	1.000		ROD:.625 X 16.94 LG